

## TABLERACK

The TableRack series is designed for table-top and floor standing use. This 19" enclosure is similar to the Wall Mount Units, but has a front and rear door. It is meant for use either on the table top (with feet) or under the table (with castors). It accepts all equipment conforming to 19" rack mounting specifications.

The TableRack is ideal for use by small businesses, self-employed professionals such as doctors, lawyers, tax consultants, estate agents and others who require to secure their information databases and equipment. They are also well suited for use in educational institutions such as schools, colleges, R&D establishments, nursing homes, retail outlets and other small business establishments.



### Features

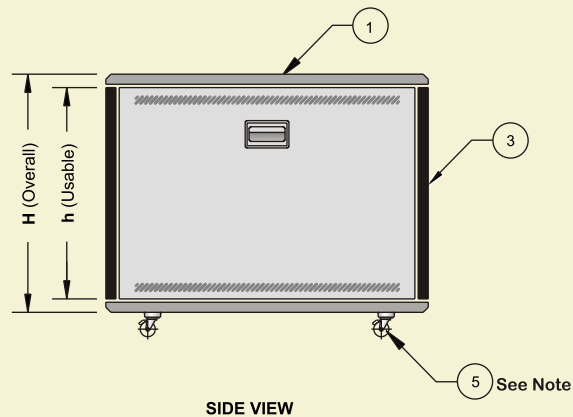
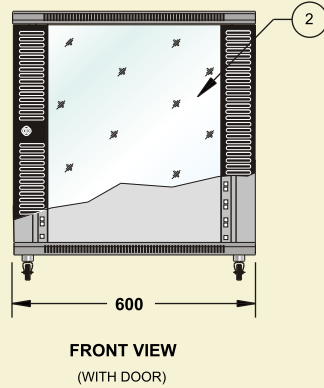
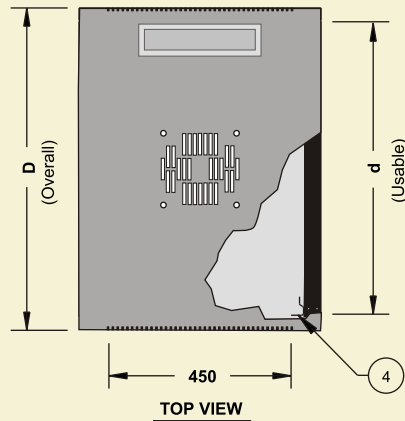
- Rigid frame construction
- Vented Front glass door with a fully vented rear Steel door
- Recessible 19" Angles
- Compatible with standard 19" accessories
- Load rating of 100 kgs
- Top Cover with gland plate and single fan cut-out
- Powder coated in Black shade

### Sizes

Heights: 6U, 9U, 12U, 15U and 18U  
Width : 600mm  
Depths : 800mm and 1000mm



# TABLERACK



## Scope of Supply

No.	Description
1.	Basic Enclosure Body
2.	Front Glass Door, vented
3.	Rear Steel Door, vented
4.	19" Angles Reccessible (2 pairs)
5. *	Castors or Legs

Note: \* Castors or Legs are to be ordered separately.

All dimensions are shown in mm.

## Dimensions

U	Height		Depth	
	Overall H	Usable h	Overall D	Usable d
6U	324.3	274.3	800	723.0
9U	457.6	407.6	1000	923.0
12U	591.0	541.0		
15U	724.3	674.3		
18U	857.7	807.7		

## Ordering Information

Description	Depth	
	800mm	1000mm
Table Rack, 19", 6U	3T-0106	3T-0206
Table Rack, 19", 9U	3T-0109	3T-0209
Table Rack, 19", 12U	3T-0112	3T-0212
Table Rack, 19", 15U	3T-0115	3T-0215
Table Rack, 19", 18U	3T-0118	3T-0218

## APW PRESIDENT SYSTEMS LTD.

R-2, Technopolis Knowledge Park, Mahakali Caves Road, Andheri East, Mumbai 400 093

Phone : 022-6644 8888 Fax : 022-6644 8899 Email : info@apwpresident.com

Website : [www.apwpresident.com](http://www.apwpresident.com)